

ANALOGUE OUTDOOR CLOCK

PROFILINE QUAD

The Profiline is our premium analogue outdoor clock. It features an elegant, modular housing concept featuring a weather-resistant aluminum profile, a high-quality finish and an easy-to-install, maintenance-friendly design.



7 STEPS TO YOUR PROFILINE QUAD

To make sure your Profiline Quad meets all your requirements, you can assemble the components individually. Naturally, our experts will be happy to help.

1. Are you looking for an illuminated clock?

ILLUMINATION

The Profiline Quad is available with or without illumination:

CODE	ILLUMINATION
PL0	none
PL2	LED



2. How big does your clock need to be?

SIZE

The Profiline Quad is available in four dial diameters. The reading distance varies depending on the dial, lighting, etc. The viewing angle is 160 degrees.

Ø	READING DISTANCE
40 cm	45-50m
50 cm	55-60m
60 cm	65-70m
80 cm	85-90m



3. What shape would you like?

SHAPE

The Profiline Quad is available in single-sided, double-sided and four-sided versions:

CODE	SHAPE
Q1	square, single-sided
Q2	square, double-sided
Q4	square, four-sided (Ø 60/80 only)

4.

The Profine Quad analog clock offers a variety of time code variants. Pick yours:

TIME CODE

Code	Time code	Ø	Power supply	Hands	Movement	Max. power consumption	Accuracy (synchronized)	Loss of signal
MOBALINE SELF-SETTING: MXX								
M16	MOBALine	50-80	MOBALine	h/m	SAM 100t	< 20mA @ >17VAC (0.34W)	<+/- 100ms	MOBALine: 12:00 position after 24 hours
M18	MOBALine	50-80	MOBALine	h/m/s	SEM 100t	< 30mA @ >17VAC (0.51W)	<+/- 100ms	DCF active: 12:00 position after 7 days
NTP (LAN) SELF-SETTING (WITH UNICAST AND MULTICAST): NXX								
N11	NTP	50-80	PoE	h/m	NBU 190t PoE	PoEclass 2: <1.6W ³ / <3.2W ⁴	<+/- 50ms	12:00 position after 24 hours
N13	NTP	50-80	PoE	h/m/s	NBU 190t S PoE			
N01	NTP	50-80	230V (24VDC)	h/m	NBU 190t 24 + PS24	< 60mA @ 24VDC (<1.44W)	<+/- 50ms	12:00 position after 24 hours
N03	NTP	50-80	230V (24VDC)	h/m/s	NBU 190t S 24 + PS24			
POLARIZED IMPULSES: IXX								
I02	Min. impulse	50-80	12-60V impulse	h/m	NU 90t	-6mA @ 24VDC (0.14W)	-	Standstill
I06	Min. impulse	50-80	12-60V impulse	h/m/s	NU 90t SYN	6mA @ 24VDC (0.14W) 10mA @ 230VAC (<2W)	-	Standstill
I21	Min. impulse	50-80	12-60V impulse ^e 45-265VAC	h/m/s	IBU 190t S	30mA @ 230VAC (<6.9W)	-	Standstill
SERIAL: SXX								
S01	Serial	50-80	230V	h/m	SU 190t 230	50mA @ 24VDC (<1.2W)	<+/- 100ms	12:00 position after 24 hours
S03	Serial	50-80	230V	h/m/s	SU 190t S 230	12mA @ 230VAC (<3W)		
IRIG/AFNOR: TXX								
T51	IRIG/AFNOR	50-80	230V	h/m	ATBU 190t 230	10mA @ 230VAC (<2.3W)	<+/- 100ms	12:00 position after 24 hours
T53	IRIG/AFNOR	50-80	230V	h/m/s	ITBU 190t S 230			
GPS / DCF 77 / MSF / WTD WIRELESS TIME DISTRIBUTION: RXX								
R01	DCF / MSF ²	50-80	230V	h/m	BU 190t 230	230VAC (<3W)	<+/- 100ms	12:00 position after 7 days
R04	DCF / MSF ²	50-80	230V	h/m/s	BU 190t S 230			
R26	DCF 77 ¹	50-80	Lithium battery	h/m	FU 192t	-	<+/- 100ms	12:00 position after 7 days
R29	DCF 77 ^{1,5}	50-80	Lithium battery	h/m	FU 192t + BU 192t + CC	-	<+/- 100ms	12:00 position after 7 days
R30	DCF 77 ¹	50-80	Lithium battery	h/m	BU 192t + AD 192.5	-	<+/- 100ms	12:00 position after 7 days
R31	DCF 77 ^{1,5}	50-80	Lithium battery	h/m	2x BU 192t + AD 192.5 + CC	-	<+/- 100ms	12:00 position after 7 days
R51	GPS ⁶	50-80	Lithium battery	h/m	GU 192t V2	-	<+/- 200ms	12:00 position after 53 days
R54	GPS ^{5,6}	50-80	Lithium battery	h/m	GU 192t V2 + BU 192t + CC	-	<+/- 200ms	12:00 position after 53 days
QUARTZ: QXX								
Q02	Quartz	50-80	Lithium battery	h/m	QU 192t	-	<+/- 4min/y ⁷	-
Q03	Quartz ⁵	50-80	Lithium battery	h/m	QU 192t + BU192t + CC	-	<+/- 4min/y ⁷	-
CLOCK CONTROLLER (WITH ILLUMINATION CONTROL): CXX								
C01	MOBALine	50-80	230 VAC	h/m	SAM 100t + DCC	0.55A @ >230VAC (<20W)	<+/- 100ms	MOBALine: 12:00 position after 24 hours
C03	MOBALine	50-80	230 VAC	h/m/s	SEM 100t + DCC			
C09	NTP	50-80	230 VAC/PoE	h/m	SAM 100t + NCC	0.55A @ >230VAC (<20W) PoE, class 4, <22W	<+/- 100ms	DCF active: 12:00 position after 7 days
C11	NTP	50-80	230 VAC/PoE	h/m/s	SEM 100t + NCC			

¹ internal antenna and receiver (only for clocks without illumination) ² without antenna, external antenna required ³ single-sided clock

⁴ cascaded double-sided clock ⁵ for double-sided clocks, cascading cable included ⁶ mini magnetic antenna and receiver ⁷ without synchronization

For special clockwork/time code variants, see document TE-800800 at www.mobatime.com in the Customers section

5.

Choose your dial:

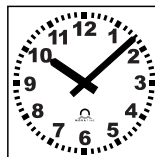
DIAL



dial 120



dial 300



dial 315

6. Which type of glass is the right one?

GLASS TYPE

Depending on the intended use, two glass options are available:

- Mineral glass (code 1)
- Ball-throw resistant (code 2)

7. Choose your installation:

INSTALLATION



00
Wall mounting (E)
For single-sided clocks.



01 / 21 / 50
01: Wall mounting (W)
21: Ceiling mounting (D)
50: Socket mounting (S)
For double-sided clocks.

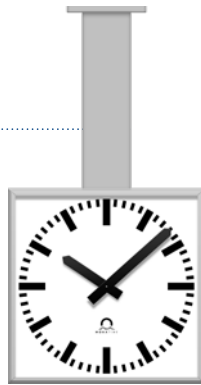


10
Wall bracket (WA)
For double-sided clocks.

20
Ceiling suspension (DA)
For double- and four-sided clocks.



30
Lateral pole mounting (SM)
For double-sided clocks.
Ø 50/60



40
Central pole mounting (ZM)
For double- and four-sided* clocks.
Ø 50/60/80

*For four-sided clocks, a mast must be available on site (Ø 90-150mm).

General properties

The following properties apply to all Profiline Quad clocks:

Housing	Aluminium, powder-coated (RAL 9006)
----------------	-------------------------------------

YOUR PROFILINE QUAD IS COMPLETE

You can now order your Profiline Quad and calculate the corresponding code. Enter the abbreviation for each component of your choice in the bright field and find your Profiline Quad code. It serves as the order code or as the foundation for further steps.

1. Illumination	Code	<input type="text"/>
2. Size	Ø cm	<input type="text"/>
3. Shape	Code	<input type="text"/>
4. Time code	Code	<input type="text"/>
5. Dial	Code	<input type="text"/>
6. Glass type	Code	<input type="text"/>
7. Installation	Code	<input type="text"/>
Sequence number	Code	<input type="text" value="0000"/>

Example order code



	1.	2.	3.	4.	5.	6.	7.
Profiline	PL0.	60.	Q1.	M16.	300.	1.	00. 0000
no illumination		Ø 60cm	square, single-sided	movement SAM 100t	dial 300	mineral glass	wall suspension
							sequence number ¹

¹ The sequence number denotes special versions (e.g. clocks with a special dial). When ordering, please indicate the sequence number with 0000 (standard version); we will adapt this for any special version. Special versions can be reordered at any time stating the sequence number.

STANDARDS

Depending on the movement used in your Profiline Quad clock, the following standards apply:

MOVEMENT(S)	STANDARDS
SAM 100t SEM 100t	2011/65/EU / 2014/30/EU / 2014/35/EU / 2016/797/EU / EN 50121-4 / EN 60950-1 / EN 61000-6-2 / EN 61000-6-3
NBU 190t PoE NBU 190t S PoE NBU 190t 24 NBU 190t S 24	2011/65/EU / 2014/30/EU / 2014/35/EU / 2016/797/EU / EN 50121-4 / EN 60950-1 / EN 61000-6-2 / EN 61000-6-4
NU 90t NU 90t SYN	2011/65/EU / 2014/30/EU / EN 61000-6-2 / EN 61000-6-3
IBU 190t S	2011/65/EU / 2014/30/EU / 2014/35/EU / 2016/797/EU / EN 50121-4 / EN 60950-1 / EN 61000-6-3
SU 190t 230 SU 190t S 230	2011/65/EU / 2014/30/EU / 2014/35/EU / 2016/797/EU / EN 50121-4 / EN 60950-1 / EN 61000-6-1 / EN 61000-6-3
ATBU 190t 230 ITBU 190t S 230	2011/65/EU / 2014/30/EU / 2014/35/EU / 2016/797/EU / EN 50121-4 / EN 60950-1 / EN 61000-6-2 / EN 61000-6-3 / IPPS
BU 192t FU 192t QU 192t	2011/65/EU / 2014/30/EU / EN 61000-6-2 / EN 61000-6-3
BU 190t 230 BU 190t S 230	2011/65/EU / 2014/30/EU / 2014/35/EU / 2016/797/EU / EN 50121-4 / EN 60950-1 / EN 61000-6-1 / EN 61000-6-3
GU 192t V2	2011/65/EU / 2014/30/EU / 2016/797/EU / EN 50121-4 / EN 61000-6-2 / EN 61000-6-3

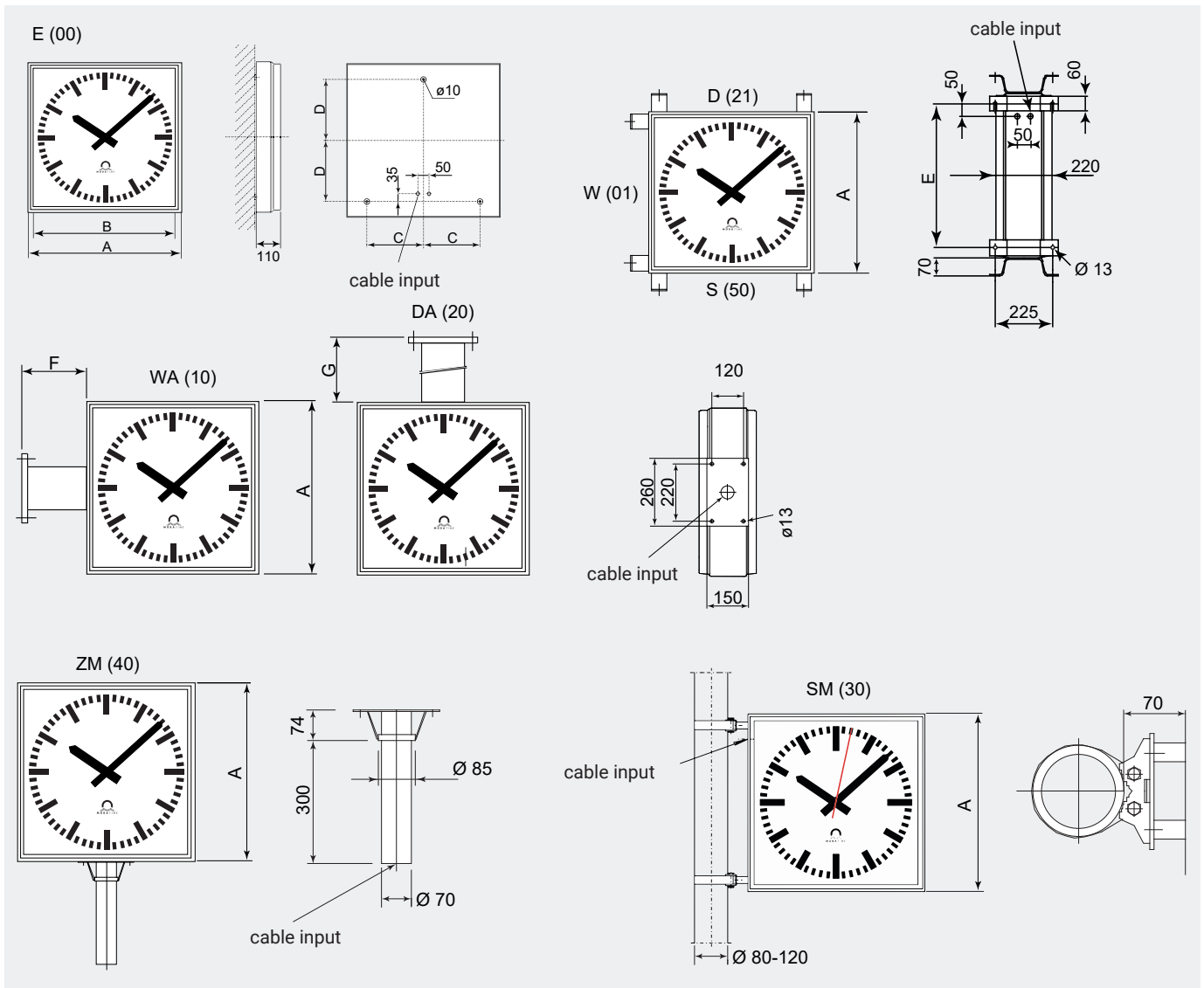
All Profiline Quad clocks are compliant with CE, RoHS and REACH.

TECHNICAL DATA

TECHNICAL DATA	PROFILINE QUAD
Operating conditions	-30 to +70 °C (0 to 95% relative humidity, non-condensing)
Degree of protection	IP 54

Ø	E					W/D/S		WA/DA			SM	ZM
	A	B	C	D	Weight	E	Weight	F	G	Weight	Weight	Weight
40	446	400	155	175	10	364	19	150	400	22	-	-
50	546	500	205	225	15	464	24	180	500	27	20	26
60	646	600	255	275	22	564	33	240	600	38	28	34
80	846	800	355	375	34	764	55	320	800	60	-	55

All dimensions in mm and weights in kg.



LE-800079.28 / 2025

*Do you have any questions?
We are happy to help.*

Moser-Baer AG | Spitalstrasse 7 | CH-3454 Sumiswald
Tel. +41 34 432 46 46 | Fax +41 34 432 46 99
info@mobatime.com | www.mobatime.com



Product specifications are subject to change without notice.