

## ANALOGUE OUTDOOR CLOCK

# PROFILINE

*The Profiline is our premium analogue outdoor clock. It features an elegant, modular housing concept featuring a weather-resistant aluminum profile, a high-quality finish and an easy-to-install, maintenance-friendly design.*



# 7 STEPS TO YOUR PROFILINE

To make sure your Profiline meets all your requirements, you can assemble the components individually. Naturally, our experts will be happy to help.

## 1. Are you looking for an illuminated clock?

### ILLUMINATION

The Profiline is available with or without illumination:

CODE	ILLUMINATION
PL0	none
PL2	LED

## 2. How big does your clock need to be?

### SIZE

The Profiline is available in three dial diameters. The reading distance varies depending on the dial, lighting, etc. The viewing angle is 160 degrees.

Ø	READING DISTANCE
50 cm	55-60m
60 cm	65-70m
80 cm	85-90m

## 3. What shape would you like?

### SHAPE

The Profiline is available in single-sided and double-sided versions:

CODE	SHAPE
R1	round, single-sided
R2	round, double-sided



# 4.

The Proflin analog clock offers a variety of time code variants. Pick yours:

## TIME CODE

Code	Time code	Ø	Power supply	Hands	Movement	Max. power consumption	Accuracy (synchronized)	Loss of signal
<b>MOBALINE SELF-SETTING: MXX</b>								
M16	MOBALine	50-80	MOBALine	h/m	SAM 100t	< 20mA @ >17VAC (0.34W)	<+/- 100ms	MOBALine: 12:00 position after 24 hours
M18	MOBALine	50-80	MOBALine	h/m/s	SEM 100t	< 30mA @ >17VAC (0.51W)	<+/- 100ms	DCF active: 12:00 position after 7 days
<b>NTP (LAN) SELF-SETTING (WITH UNICAST AND MULTICAST): NXX</b>								
N11	NTP	50-80	PoE	h/m	NBU 190t PoE	PoEclass 2: <1.6W <sup>3</sup> / <3.2W <sup>4</sup>	<+/- 50ms	12:00 position after 24 hours
N13	NTP	50-80	PoE	h/m/s	NBU 190t S PoE			
N01	NTP	50-80	230V (24VDC)	h/m	NBU 190t 24 + PS24	< 60mA @ 24VDC (<1.44W)	<+/- 50ms	12:00 position after 24 hours
N03	NTP	50-80	230V (24VDC)	h/m/s	NBU 190t S 24 + PS24			
<b>POLARIZED IMPULSES: IXX</b>								
I02	Min. impulse	50-80	12-60V impulse	h/m	NU 90t	-6mA @ 24VDC (0.14W)	-	Standstill
I06	Min. impulse	50-80	12-60V impulse	h/m/s	NU 90t SYN	6mA @ 24VDC (0.14W) 10mA @ 230VAC (<2W)	-	Standstill
I21	Min. impulse	50-80	12-60V impulse <sup>e</sup> 45-265VAC	h/m/s	IBU 190t S	30mA @ 230VAC (<6.9W)	-	Standstill
<b>SERIAL: SXX</b>								
S01	Serial	50-80	230V	h/m	SU 190t 230	50mA @ 24VDC (<1.2W)	<+/- 100ms	12:00 position after 24 hours
S03	Serial	50-80	230V	h/m/s	SU 190t S 230	12mA @ 230VAC (<3W)		
<b>IRIG/AFNOR: TXX</b>								
T51	IRIG/AFNOR	50-80	230V	h/m	ATBU 190t 230	10mA @ 230VAC (<2.3W)	<+/- 100ms	12:00 position after 24 hours
T53	IRIG/AFNOR	50-80	230V	h/m/s	ITBU 190t S 230			
<b>GPS / DCF 77 / MSF / WTD WIRELESS TIME DISTRIBUTION: RXX</b>								
R01	DCF / MSF <sup>2</sup>	50-80	230V	h/m	BU 190t 230	230VAC (<3W)	<+/- 100ms	12:00 position after 7 days
R04	DCF / MSF <sup>2</sup>	50-80	230V	h/m/s	BU 190t S 230			
R26	DCF 77 <sup>1</sup>	50-80	Lithium battery	h/m	FU 192t	-	<+/- 100ms	12:00 position after 7 days
R29	DCF 77 <sup>1,5</sup>	50-80	Lithium battery	h/m	FU 192t + BU 192t + CC	-	<+/- 100ms	12:00 position after 7 days
R30	DCF 77 <sup>1</sup>	50-80	Lithium battery	h/m	BU 192t + AD 192.5	-	<+/- 100ms	12:00 position after 7 days
R31	DCF 77 <sup>1,5</sup>	50-80	Lithium battery	h/m	2x BU 192t + AD 192.5 + CC	-	<+/- 100ms	12:00 position after 7 days
R51	GPS <sup>6</sup>	50-80	Lithium battery	h/m	GU 192t V2	-	<+/- 200ms	12:00 position after 53 days
R54	GPS <sup>5,6</sup>	50-80	Lithium battery	h/m	GU 192t V2 + BU 192t + CC	-	<+/- 200ms	12:00 position after 53 days
<b>QUARTZ: QXX</b>								
Q02	Quartz	50-80	Lithium battery	h/m	QU 192t	-	<+/- 4min/y <sup>7</sup>	-
Q03	Quartz <sup>5</sup>	50-80	Lithium battery	h/m	QU 192t + BU192t + CC	-	<+/- 4min/y <sup>7</sup>	-
<b>CLOCK CONTROLLER (WITH ILLUMINATION CONTROL): CXX</b>								
C01	MOBALine	50-80	230 VAC	h/m	SAM 100t + DCC	0.55A @ >230VAC (<20W)	<+/- 100ms	MOBALine: 12:00 position after 24 hours
C03	MOBALine	50-80	230 VAC	h/m/s	SEM 100t + DCC			
C09	NTP	50-80	230 VAC/PoE	h/m	SAM 100t + NCC	0.55A @ >230VAC (<20W) PoE, class 4, <22W	<+/- 100ms	DCF active: 12:00 position after 7 days
C11	NTP	50-80	230 VAC/PoE	h/m/s	SEM 100t + NCC			

<sup>1</sup> internal antenna and receiver (only for clocks without illumination) <sup>2</sup> without antenna, external antenna required <sup>3</sup> single-sided clock

<sup>4</sup> cascaded double-sided clock <sup>5</sup> for double-sided clocks, cascading cable included <sup>6</sup> mini magnetic antenna and receiver <sup>7</sup> without synchronization

For special clockwork/time code variants, see document TE-800800 at [www.mobatime.com](http://www.mobatime.com) in the Customers section

# 5.

Choose your dial:

## DIAL



dial 120



dial 300



dial 315

# 6. Which type of glass is the right one?

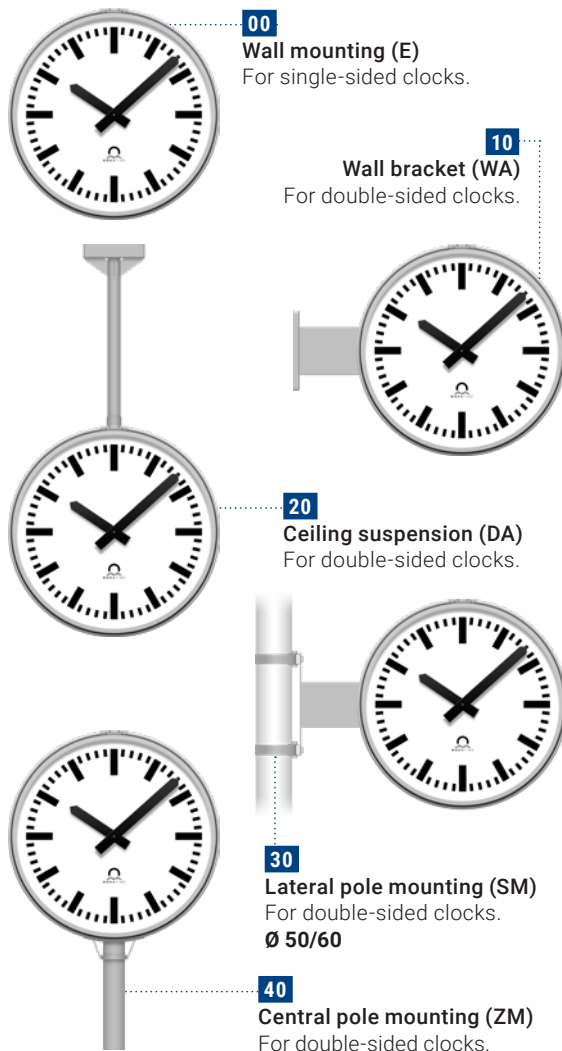
## GLASS TYPE

Depending on the intended use, two glass options are available.

- Mineral glass (code 1)
- Ball-throw resistant (code 2)

# 7. Choose your installation:

## INSTALLATION



## YOUR PROFILINE IS COMPLETE

You can now order your Profiline and calculate the corresponding code. Enter the abbreviation for each component of your choice in the bright field and find your Profiline code. It serves as the order code or as the foundation for further steps.

<b>1. Illumination</b>	Code	<input type="text"/>
<b>2. Size</b>	Ø cm	<input type="text"/>
<b>3. Shape</b>	Code	<input type="text"/>
<b>4. Time code</b>	Code	<input type="text"/>
<b>5. Dial</b>	Code	<input type="text"/>
<b>6. Glass type</b>	Code	<input type="text"/>
<b>7. Installation</b>	Code	<input type="text"/>
<b>Sequence number</b>	Code	<input type="text" value="0000"/>

### Example order code



	1.	2.	3.	4.	5.	6.	7.
Profiline	PL0	60	R1	M16	300	1	00
no illumination							
Ø 60cm							
round, single-sided							
movement SAM 100t							
dial 300							
mineral glass							
wall suspension							
sequence number <sup>1</sup>							

<sup>1</sup> The sequence number denotes special versions (e.g. clocks with a special dial). When ordering, please indicate the sequence number with 0000 (standard version); we will adapt this for any special version. Special versions can be reordered at any time stating the sequence number.

## General properties

The following properties apply to all Profiline clocks:

<b>Housing</b>	Aluminium, powder-coated (RAL 9006)
----------------	-------------------------------------

# STANDARDS

*Depending on the movement used in your Profiline clock, the following standards apply:*

MOVEMENT(S)	STANDARDS
SAM 100t SEM 100t	2011/65/EU / 2014/30/EU / 2014/35/EU / 2016/797/EU / EN 50121-4 / EN 60950-1 / EN 61000-6-2 / EN 61000-6-3
NBU 190t PoE NBU 190t S PoE NBU 190t 24 NBU 190t S 24	2011/65/EU / 2014/30/EU / 2014/35/EU / 2016/797/EU / EN 50121-4 / EN 60950-1 / EN 61000-6-2 / EN 61000-6-4
NU 90t NU 90t SYN	2011/65/EU / 2014/30/EU / EN 61000-6-2 / EN 61000-6-3
IBU 190t S	2011/65/EU / 2014/30/EU / 2014/35/EU / 2016/797/EU / EN 50121-4 / EN 60950-1 / EN 61000-6-3
SU 190t 230 SU 190t S 230	2011/65/EU / 2014/30/EU / 2014/35/EU / 2016/797/EU / EN 50121-4 / EN 60950-1 / EN 61000-6-1 / EN 61000-6-3
ATBU 190t 230 ITBU 190t S 230	2011/65/EU / 2014/30/EU / 2014/35/EU / 2016/797/EU / EN 50121-4 / EN 60950-1 / EN 61000-6-2 / EN 61000-6-3 / IPPS
BU 192t FU 192t QU 192t	2011/65/EU / 2014/30/EU / EN 61000-6-2 / EN 61000-6-3
BU 190t 230 BU 190t S 230	2011/65/EU / 2014/30/EU / 2014/35/EU / 2016/797/EU / EN 50121-4 / EN 60950-1 / EN 61000-6-1 / EN 61000-6-3
GU 192t V2	2011/65/EU / 2014/30/EU / 2016/797/EU / EN 50121-4 / EN 61000-6-2 / EN 61000-6-3

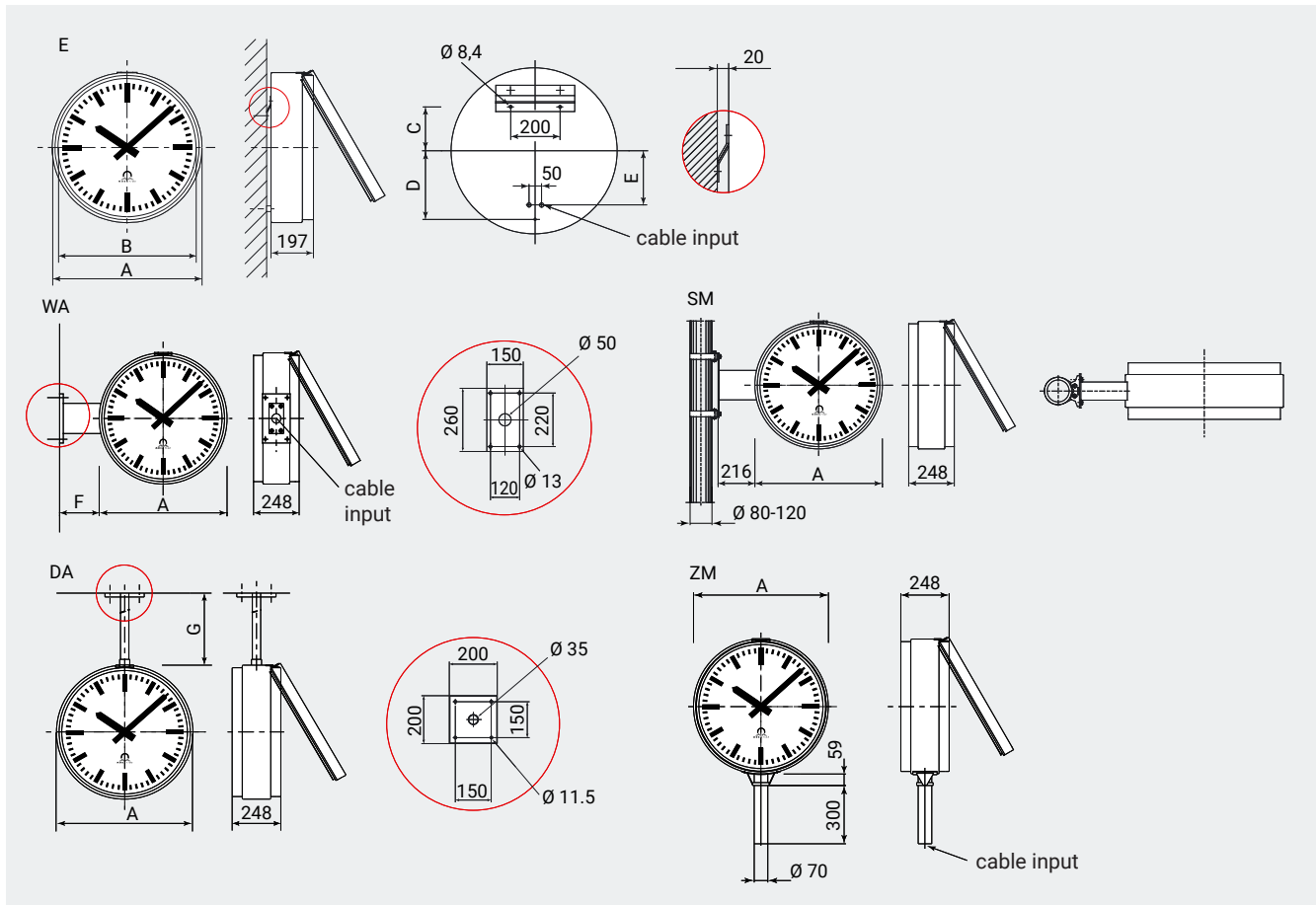
All Profiline clocks are compliant with CE, RoHS and REACH.

# TECHNICAL DATA

TECHNICAL DATA	PROFILINE
Operating conditions	-30 to +70 °C (0 to 95% relative humidity, non-condensing)
Degree of protection	IP 54

Ø	E						WA		DA		SM	ZM
	A	B	C	D	E	Weight	F	Weight	G	Weight	Weight	Weight
50	581	526	102	220	170	16	210	27	500	27	28	28
60	694	639	152	280	220	23	210	38	600	38	39	39
80	902	847	202	380	270	37	315	52	800	63	-	64

All dimensions in mm and weights in kg.



LE-800078.28 / 2025

*Do you have any questions?  
We are happy to help.*

Moser-Baer AG | Spitalstrasse 7 | CH-3454 Sumiswald  
Tel. +41 34 432 46 46 | Fax +41 34 432 46 99  
info@mobatime.com | www.mobatime.com



Product specifications are subject to change without notice.