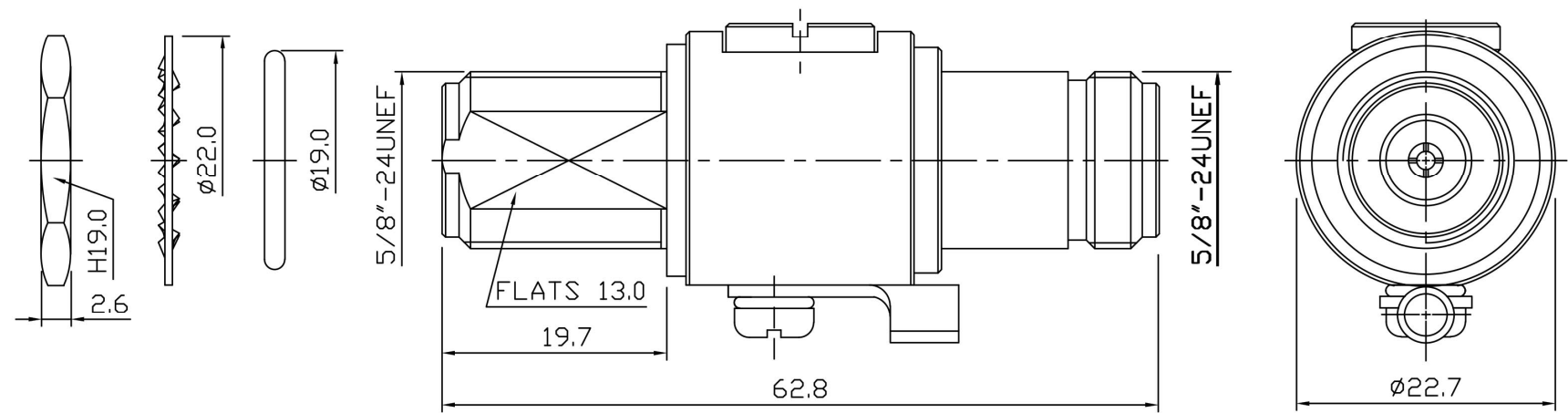
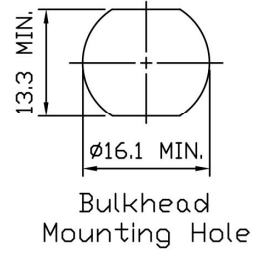


1		2		3		4		5		6		7		8	
REVISION															
ISS	ZONE	DESCRIPTION													



NOTE:

- 1.Impedance:50Ω
- 2.Frequency Range : DC~6 GHz
- 3.V.S.W.R. :1.3 Max
- 4.Insertion Loss: -0.4 dB MAX
- 5.Gas Tube DC Spark Over Voltage :230V
- 6.Gas Tube Impluse Discharge Current (Wave 8/20 uS)
10 Times (5 Times Each Polarity) : 10KA
- 7.Interface in Accordance With: MIL-STD-348A
- 8.Durability:500 Cycles Min
- 9.ROHS Compliance.



16	SCREW A	IRON	NICKEL	1	M-0248
15	WASHER	STAINLESS STEEL	NONE	1	M-0330
14	WASHER	BRASS	TIN	1	M-0285
13	BODY C	BRASS	NICKEL	1	B-0006
12	NUT	BRASS	NICKEL	1	D-0028
11	GAS TUBE	NONE	NONE	1	Q-0019
10	BARREL A	BRASS	NICKEL	1	E-0007
9	O-RING	SILICONE	RED	1	R-0060
8	BODY A	BRASS	NICKEL	1	B-0040
7	GASKET	SILICONE	NONE	2	R-0033
6	INSULATOR	PTFE	NONE	2	T-0022
5	CENTER CONTACT A	BRASS	GOLD	1	C-0009
4	BODY B	BRASS	NICKEL	1	B-0034
3	GASKET	SILICONE	NONE	1	R-0006
2	WASHER	BRASS	NICKEL	1	G-0005
1	NUT	BRASS	NICKEL	1	D-0005
NO.	DESCRIPTION	MATERIAL	FINISH	Q'TY	DRAWN NO.

TOLERANCES		TITLE	
DIMENSIONS ARE IN MILLIMETER		N JACK BULKHEAD TO N JACK LIGHTNING PROTECTOR	
UNLESS OTHERWISE SPECIFIED		PART NO.	
		10803001A	
		DRAWN NO.	
		FILE PATH:	
SCALE	2/1	ISSUE	A-0



1	2	3	4	5	6	7	8
---	---	---	---	---	---	---	---