

# Installation Manual

## Flex Indoor Clock, single- or double-sided, without illumination

Before installation of the clock please read the manual carefully.

### 1. Notes to this Installation manual

- The information in this installation manual can be changed at any time without previous notice.
- This installation manual has been composed with utmost care, in order to explain all details in respect of the operation of the product. Should you, nevertheless, have questions or discover errors in this Manual, please contact us.
- We do not answer for direct or indirect damages, which could occur through incorrect use of this manual.
- Please read the instructions carefully before setting-up of the product. Use the product only once you have correctly understood all information for the installation and of the operation.
- **The installation must only be carried out by a skilled person.**
- It is prohibited to reproduce, to store in a computer system or to transfer this publication in a way or another, even part of it. The copyright remains with all the rights with MOSER-BAER AG – CH 3454 Sumiswald / Switzerland and BÜRK MOBATIME GmbH, D-78026 VS-Schwenningen / Germany.

### 2. Handling instructions

- The clock must be transported upright in its original packaging and has to be stored dry.
- Clean the cover glass with wet (leather-) cloth.
- Never use solvents, aerosol or organic cleaning products.
- The housing can be cleaned with standard cleaning agents.

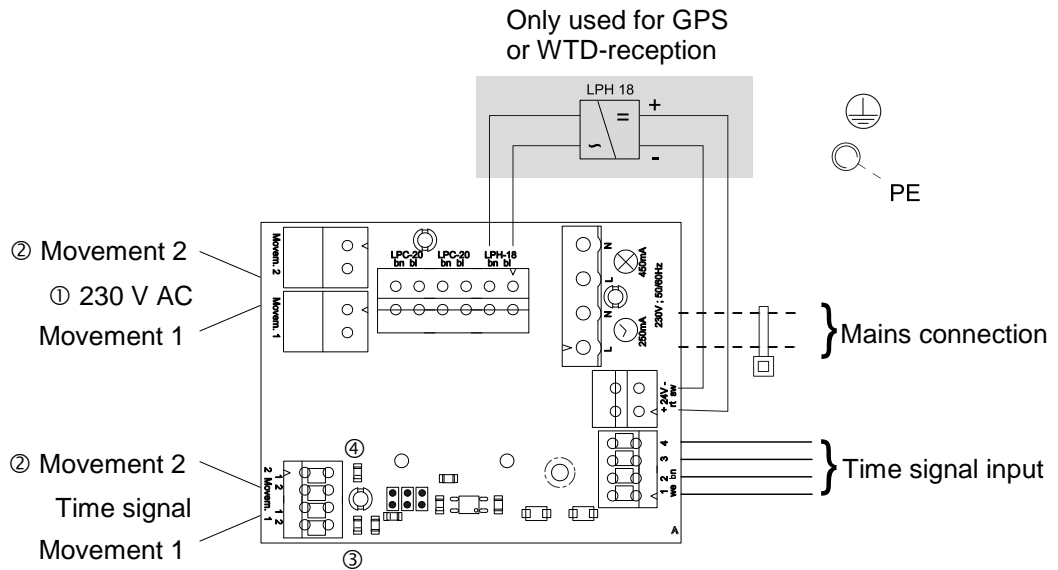
### 3. Electrical connections



**The mains supply line may only be installed by a licenced electrician.  
The nationally valid installation regulations must be complied with.**

- The clock does contain a plug-in terminal, which serves as an all wires disconnecting device. In the on-site supply line for movement, a fuse according to the consumption is to provide. Maximum wire cross section of 2.5 mm<sup>2</sup> shall be used.
- For all maintenance and cabling work, the clock has to be separated from the mains power supply.

## 4. Overview clock wiring

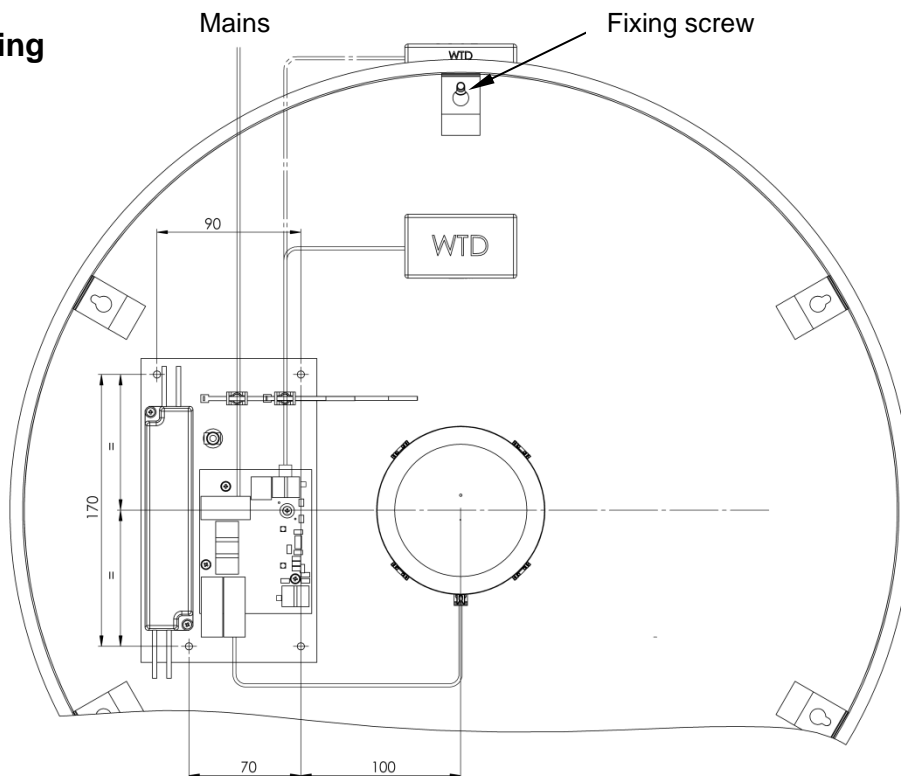


- ① 230VAC (only movements with power-supply)
  - ② Movement 2 (only double-sided clocks)
  - ③ Signal LED movement 1
  - ④ Signal LED movement 2
- } Shining only with DCF or GPS signal



**The internal wiring must not be modified.**

## 5. Mounting



The connection plate and the WTD receiver can be fastened with Velcro on the dial or directly on the wall behind the clock. See the drawing above.

Connect plate and signal cable according to the installation instruction. Connect the cables with the movement and hang up the clock on the fixing screw.

## 6. Customer connections

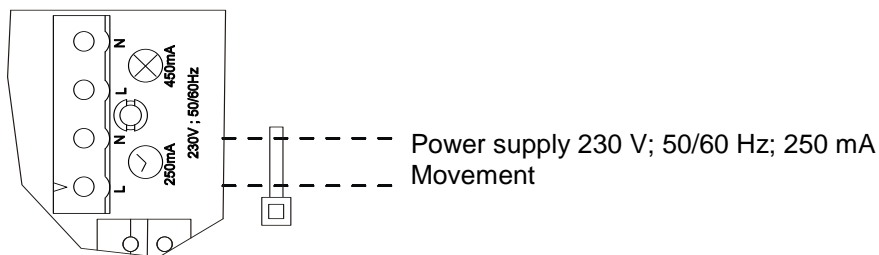
- **Mains connection**

A cable attachment for power supply is provided inside the clock. Protected earth has to be connected to the labelled grounding bolt (PE).

For phase and neutral wires a grey four-pin terminal is available. Dismantle the insulation of the connecting wires to a length of 8 to 9 mm. Insert the wires up to the isolation in to the spring terminal and clamp them by using a screwdriver No. 0 for opening the spring contact.

Phase and neutral wires must be kept together close to the terminal, using cable ties.

**Detail of mains connection on mounting plate:**

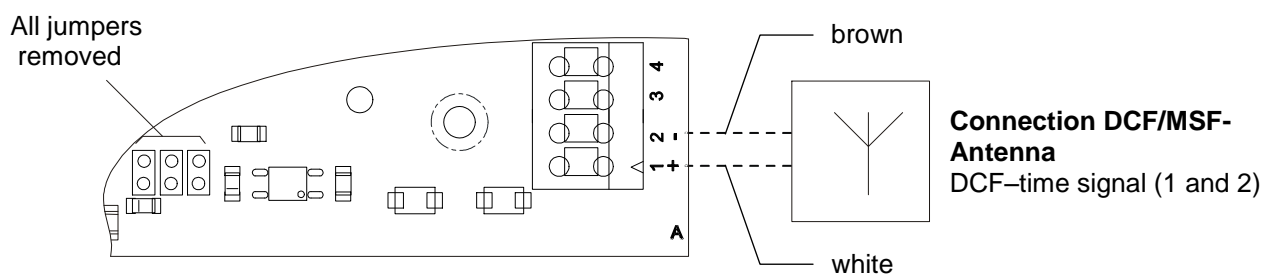


- **Time signal connection**

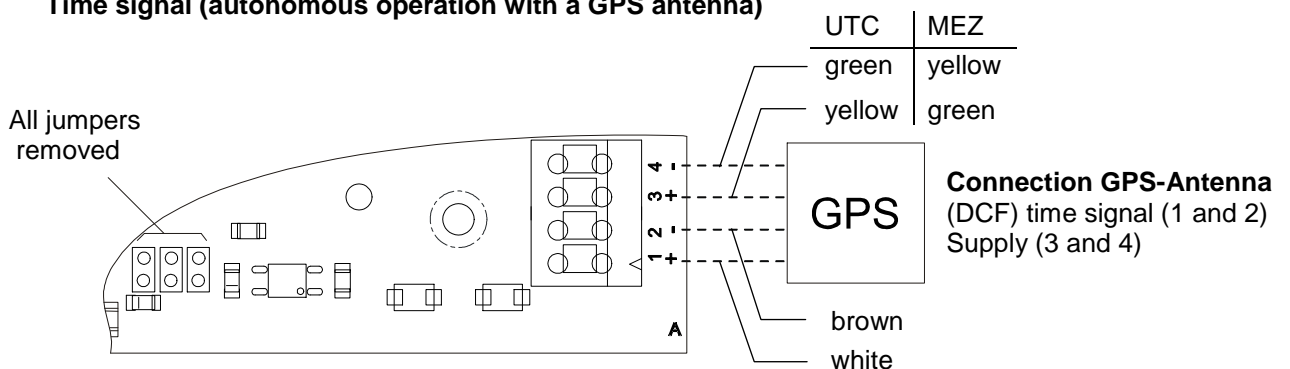
A cable attachment for time signal is provided inside the clock. Dismantle the insulation of the connecting wires to a length of 9 to 10 mm. Insert the wires up to the isolation in to the orange spring terminal and clamp them by using the contact pusher.

Signal	Movement code	Type of movement
DCF	R00...R04	BU 190...
GPS	R60...R63	BU 190...

**Time signal (autonomous operation with a DCF antenna)**

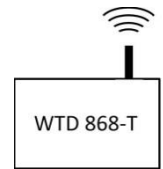


**Time signal (autonomous operation with a GPS antenna)**



## Time signal (autonomous operation with a WTD-receiver)

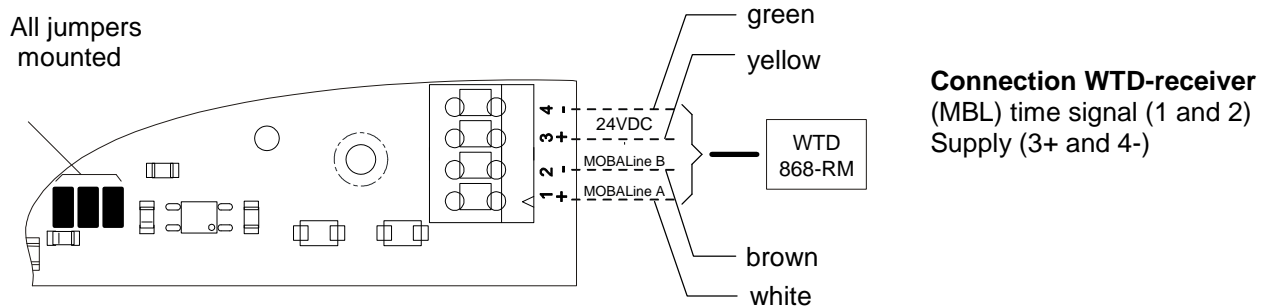
No time signal via cable required for this clock. It is synchronized from a WTD 868-T transmitter via a radio receiver interface WTD 868-RM. For the different clock types, the WTD receiver interface must be mounted according to the following description. See also the drawing Pt.5 on page 2.



Clock type: FL0.50. with housing type .00. (FLEX standard) and .01. (stainless steel V2A)  
**The WTD receiver interface can be mounted inside or outside of the clock.**

Clock type: FL0.50. with housing type .02. (steam resistant) and .03. (ball throw resistant), FL0.60. and FL0.80.(all housing types)  
**The WTD receiver interface must be mounted outside of the clock.**

Signal	Movement code	Type of movement
WTD 868-RM	R87...R90	SAM/SEM 100...



### HEADQUARTERS / PRODUCTION

MOSER-BAER AG  
Spitalstrasse 7, CH-3454 Sumiswald  
Tel. +41 34 432 46 46 / Fax +41 34 432 46 99  
moserbaer@mobatime.com / www.mobatime.com

### SALES WORLDWIDE

MOSER-BAER SA EXPORT DIVISION  
19 ch. du Champ-des-Filles, CH-1228 Plan-les-Ouates  
Tel. +41 22 884 96 11 / Fax + 41 22 884 96 90  
export@mobatime.com / www.mobatime.com

### SALES SWITZERLAND

MOBATIME AG  
Stettbachstrasse 5, CH-8600 Dübendorf  
Tel. +41 44 802 75 75 / Fax +41 44 802 75 65  
info-d@mobatime.ch / www.mobatime.ch

MOBATIME SA  
En Budron H 20, CH-1052 Le Mont-sur-Lausanne  
Tél. +41 21 654 33 50 / Fax +41 21 654 33 69  
info-f@mobatime.ch / www.mobatime.ch

### SALES GERMANY, AUSTRIA

BÜRK MOBATIME GmbH  
Postfach 3760, D-78026 VS-Schwenningen  
Steinkirchring 46, D-78056 VS-Schwenningen  
Tel. +49 7720 8535 0 / Fax +49 7720 8535 11  
buerk@buerk-mobatime.de / www.buerk-mobatime.de