

Mounting Manual for METROLINE round



Prior to any installation work the mains power has to be disconnected.

1. Notes to this mounting manual

- The information in this mounting manual can be changed at any time without previous notice.
- This mounting manual has been composed with utmost care, in order to explain all details in respect of the operation of the product. Should you, nevertheless, have questions or discover errors in this manual, please contact us.
- We do not answer for direct or indirect damages, which could occur through incorrect use of this manual.
- Please read the instructions carefully before setting-up of the product, only once you have correctly understood all information for the installation and of the operation.
- **The installation must only be carried out by a skilled person.**
- It is prohibited to reproduce, to store in a computer system or to transfer this publication, even parts of it. The copyright remains with all the rights at MOSER-BAER AG – CH 3454 Sumiswald / SWITZERLAND and BÜRK MOBATIME GmbH, D-78026 VS-Schwenningen / Germany..

2. Handling instructions

- The clock must be transported upright in its original packaging and has to be stored dry.
- Clean the cover glass with wet (leather-) cloth.
- Never use solvents, aerosol or organic cleaning products.
- The housing can be cleaned with standard cleaning agents.

3. Open the clock

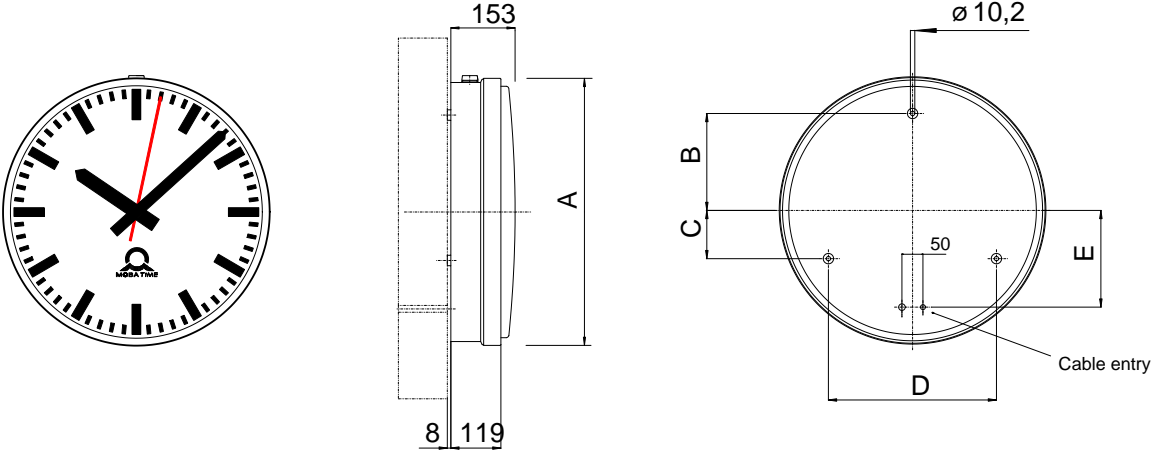
- Remove all four screws on one clock side from the case ring. Pull case ring with glass cover and dial from the clock's cabinet. Disconnect electrical terminals from clock movement.
- To avoid damaging fluorescent-tube, remove before mounting the clock.

4. Mounting guidelines

| Single sided (E) types | Double sided (WA, DA, ZM, S) types |
|------------------------|------------------------------------|
| MLv.dm.R1.www.xxx.1.00 | MLv.dm.R2.www.xxx.1.zz |

- Legend:
- v = illumination (0 = without, 1 = fluorescent, 2 = LED warm-white)
 - dm = Nominal diameter (50, 60, 80 cm)
 - www = movement code, refer the enclosed installation manual Pt. 5.
 - xxx = dial
 - zz = mounting type:
 - 00 = wall mounting (E)
 - 10 = wall mounting (WA)
 - 20 = ceiling mounting (DA)
 - 30 = central post mounting (ZM)
 - 50 = lateral post mounting (S)

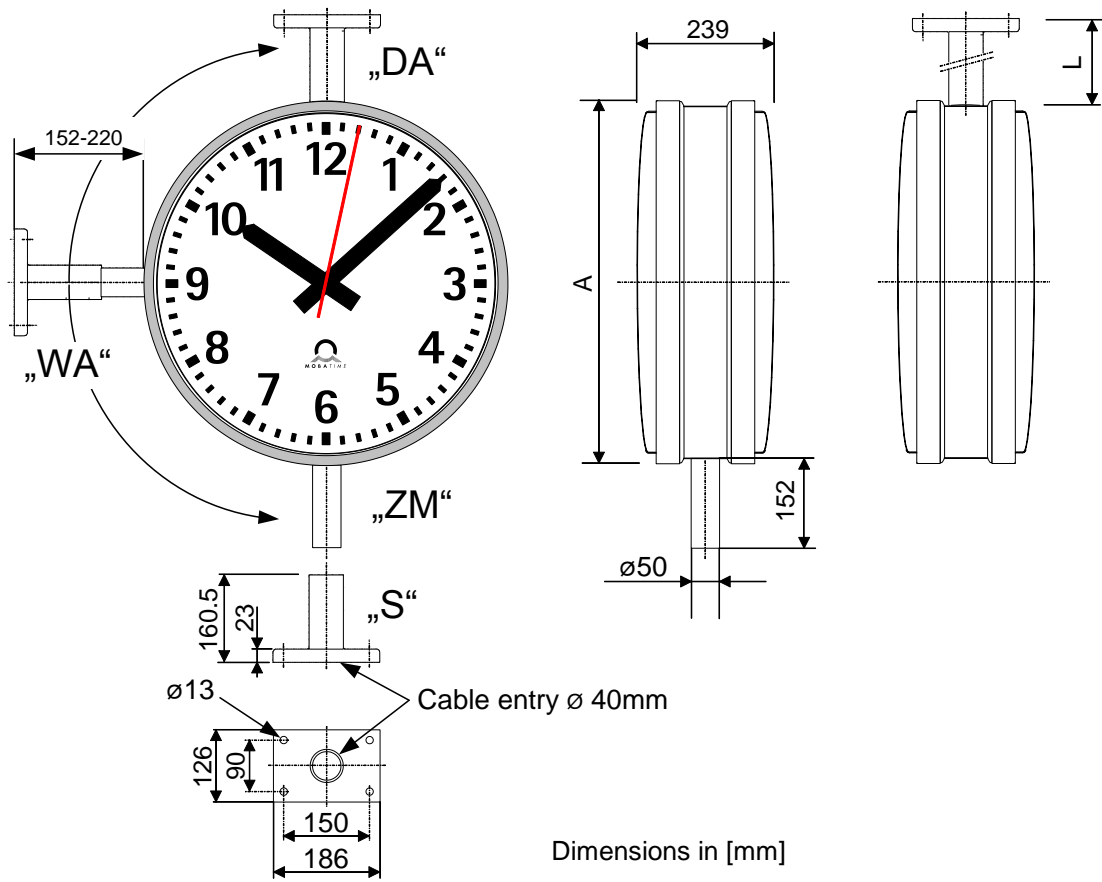
4.1 Single-sided, wall mounting (mounting type zz = 00 (E))



Dimensions in [mm]

| Nominal-Ø [cm] | Ø A [mm] | B [mm] | C [mm] | D [mm] | E [mm] |
|-------------------|-------------|-----------|-----------|-----------|-----------|
| 50 | 534 | 190 | 95 | 330 | 190 |
| 60 | 634 | 230 | 115 | 400 | 230 |
| 80 | 834 | 300 | 150 | 520 | 300 |

4.2 Double-sided mounting (mounting type zz = 10 (WA), 20 (DA), 30 (ZM), 50 (S))



dial-Ø

| Nominal-Ø [cm] | A [mm] |
|-------------------|-----------|
| 50 | 534 |
| 60 | 634 |
| 80 | 834 |

DA options

| zz | suspension length L [mm] |
|----|-----------------------------|
| 21 | 500 |
| 22 | 600 |
| 23 | 800 |

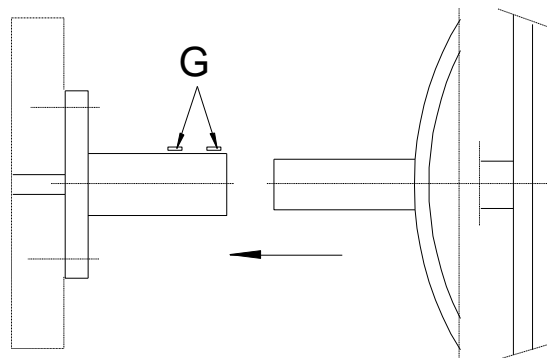
- **Wall mounting**

All electrical lines are to be fed through the console (cable entry $\varnothing 40$ mm).

Set four bolts or plugs for screws according to the mounting drawing. Feed the cables through the console, slide the clock onto the console and adjust the clock face to a vertical position.

Tighten both locking screws (G).

Locking screws (G) M5
Hex head wrench 2,5 mm



- **Ceiling mounting**

All electrical lines are to be fed through the console (cable entry $\varnothing 40$ mm).

Set four bolts or plugs for screws according to the mounting drawing. Feed the cables through the console, slide the clock onto the console and adjust the clock face to desired angle.

Tighten first locking screw (G).

Remove second locking screw (G) and spot-drill the console according to Fig.X. Reinsert and tighten the locking screw (G).

Remove first locking screw (G) and spot-drill the console according to Fig.X. Reinsert and tighten the locking screw (G).

Locking screws (G) M5
Hex head wrench 2,5 mm

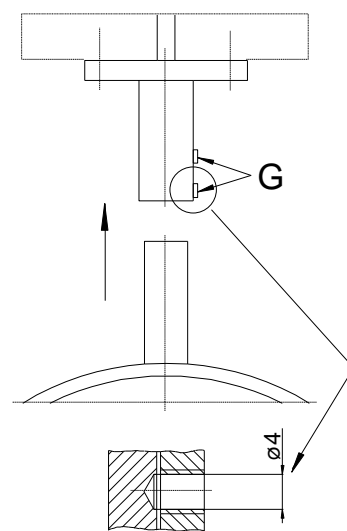


Fig. X

5. Disposing



At the end of its lifecycle, do not dispose of your device in the regular household rubbish. Return your device to your supplier who will dispose of it correctly.

HEADQUARTERS / PRODUCTION

MOSER-BAER AG
Spitalstrasse 7, CH-3454 Sumiswald
Tel. +41 34 432 46 46 / Fax +41 34 432 46 99
moserbaer@mobatime.com / www.mobatime.com

SALES WORLDWIDE

MOSER-BAER SA EXPORT DIVISION
19 ch. du Champ-des-Filles, CH-1228 Plan-les-Ouates
Tel. +41 22 884 96 11 / Fax + 41 22 884 96 90
export@mobatime.com / www.mobatime.com

SALES SWITZERLAND

MOBATIME AG
Stettbachstrasse 5, CH-8600 Dübendorf
Tel. +41 44 802 75 75 / Fax +41 44 802 75 65
info-d@mobatime.ch / www.mobatime.ch

MOBATIME SA
En Budron H 20, CH-1052 Le Mont-sur-Lausanne
Tél. +41 21 654 33 50 / Fax +41 21 654 33 69
info-f@mobatime.ch / www.mobatime.ch

SALES GERMANY, AUSTRIA

BÜRK MOBATIME GmbH
Postfach 3760, D-78026 VS-Schwenningen
Steinkirchring 46, D-78056 VS-Schwenningen
Tel. +49 7720 8535 0 / Fax +49 7720 8535 11
buerk@buerk-mobatime.de / www.buerk-mobatime.de