

Mounting Manual for PROFILINE round



Prior to any installation work the mains power has to be disconnected.

1. Notes to this mounting manual

- The information in this mounting manual can be changed at any time without previous notice.
- This mounting manual has been composed with utmost care, in order to explain all details in respect of the operation of the product. Should you, nevertheless, have questions or discover errors in this Manual, please contact us.
- We are not liable for direct or indirect damages, which could occur when using this manual.
- Please read the instructions carefully before setting-up of the product, only once you have correctly understood all information for the installation and of the operation.
- **The installation must only be carried out by a skilled person.**
- It is prohibited to reproduce, to store in a computer system or to transfer this publication, even parts of it. The copyright remains with all the rights at MOSER-BAER AG – CH 3454 Sumiswald / Switzerland and BÜRK-MOBATIME GmbH, D-78026 VS-Schwenningen / Germany.

2. Handling instructions

- The clock must be transported upright in its original packaging and has to be stored dry.
- Clean the cover glass with wet (leather-) cloth.
- Never use solvents, aerosol or organic cleaning products.
- The housing can be cleaned with standard cleaning agents.

3. Open the clock

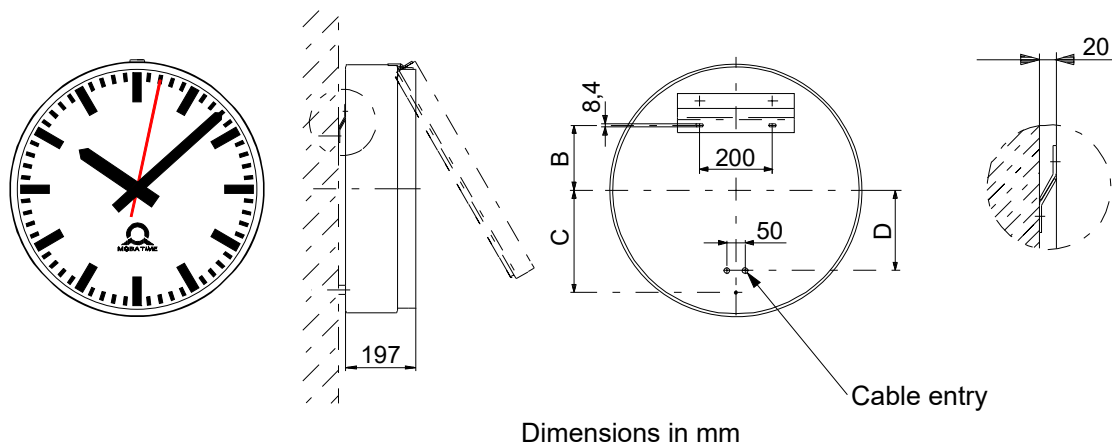
- Remove all four screws on one clock side from the case ring. Pull case ring with glass cover and dial from the clock's cabinet. Disconnect electrical terminals from clock movement.
- To avoid damaging fluorescent-tube, remove before mounting the clock.

4. Mounting types

single sided (E) types	double-sided (WA, DA, SM, ZM) type
PLv.dm.R1.www.xxx.y.00	PLv.dm.R2.www.xxx.y.zz

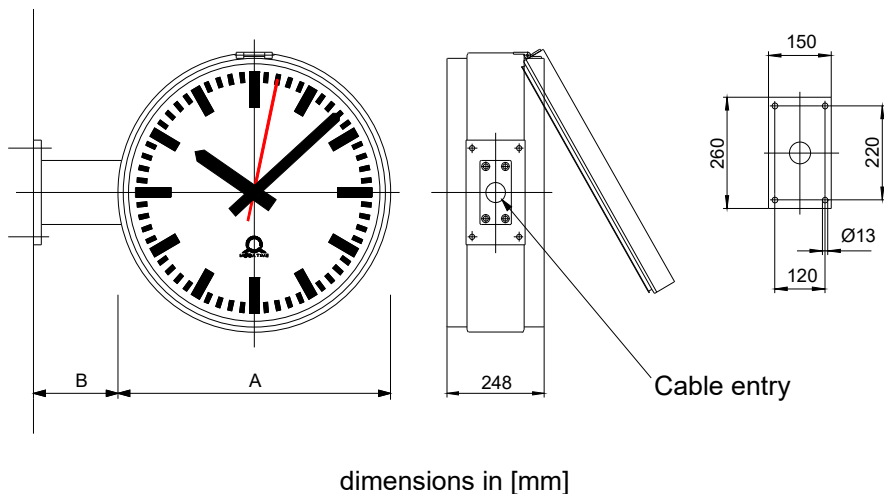
- Legend:
- v = illumination (0 = without, 1 = fluorescent, 2 = LED warm-white)
 - dm = nominal diameter (50, 60, 80 cm)
 - www = movement code, refer the enclosed installation manual Pt. 5.
 - xxx = dial
 - y = cover glas (1 = mineral glas, 2 = impact protection)
 - zz = mounting type:
 - 00 = wall mounting (E)
 - 10 = wall mounting (WA), double-sided
 - 20 = ceiling mounting (DA)
 - 30 = lateral post mounting (SM)
 - 40 = central post mounting (ZM)

4.1 Single sided wall mounting (mounting type zz = 00 (E))



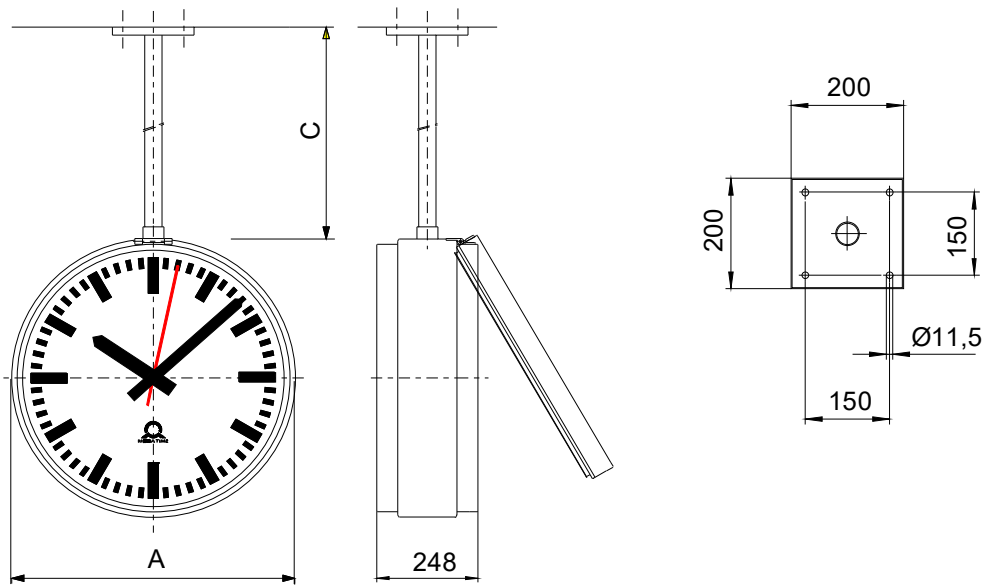
Nominal- \varnothing [cm]	A [mm]	B [mm]	C [mm]	D [mm]	weight approx. [kg]
50	581	102	220	170	16
60	694	152	280	220	23
80	902	202	380	270	37

4.2 Double-sided mounting (wall mounting, mounting type zz = 10 (WA))



dm [cm]	A [mm]	B [mm]	weight approx. [kg]
50	581	210	27
60	694	210	38
80	902	315	52

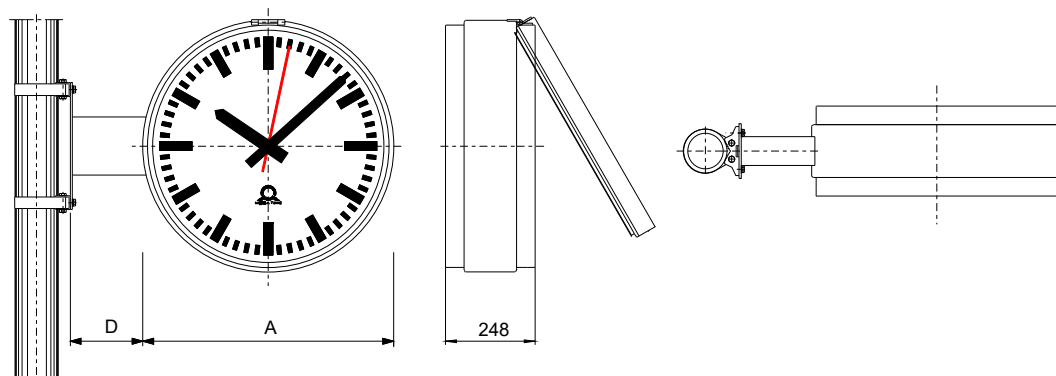
4.3 Double-sided mounting (Ceiling suspension, mounting type zz = 20 (DA))



Dimensions in mm

dm [cm]	A [mm]	B [mm]	weight approx. [kg]
50	581	500	27
60	694	600	38
80	902	800	63

4.4 Double-sided mounting (lateral post mounting, mounting type zz = 30 (SM))

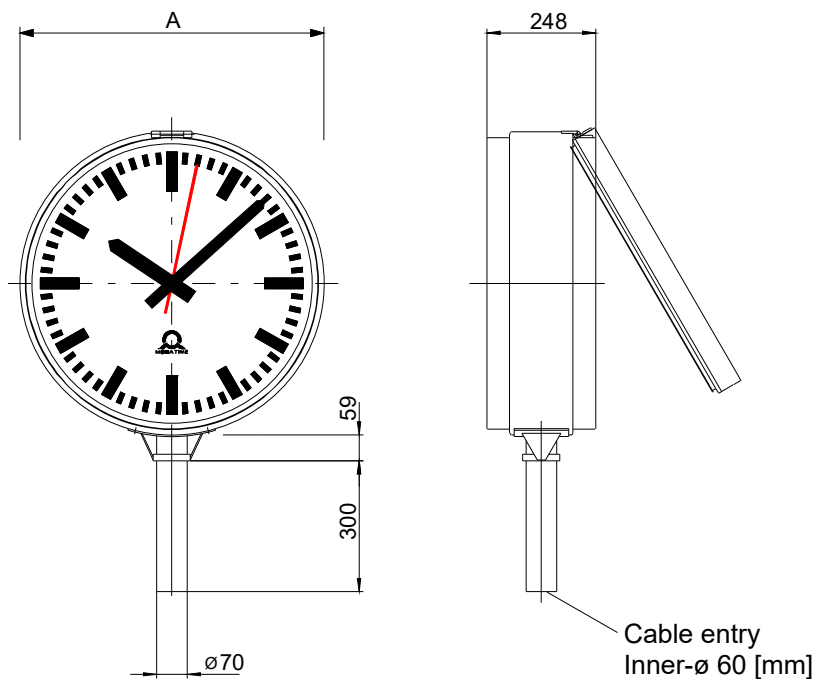


Dimensions in mm

dm [cm]	A [mm]	B [mm]	Weight approx. [kg]
50	581	216	28
60	694	216	39

Fastening to pole of diameter 80mm to 120mm is done by enclosed tightening strap.

4.5 Double-sided mounting (Central post mounting, mounting type zz = 40 (ZM))



Dimensions in mm

dm [cm]	A [mm]	Weight approx. [kg]
50	581	28
60	694	39
80	902	64

5. Disposing



At the end of its lifecycle, do not dispose of your device in the regular household rubbish. Return your device to your supplier who will dispose of it correctly.

HEADQUARTERS / PRODUCTION

MOSER-BAER AG
Spitalstrasse 7, CH-3454 Sumiswald
Tel. +41 34 432 46 46 / Fax +41 34 432 46 99
moserbaer@mobatime.com / www.mobatime.com

SALES WORLDWIDE

MOSER-BAER SA EXPORT DIVISION
19 ch. du Champ-des-Filles, CH-1228 Plan-les-Ouates
Tel. +41 22 884 96 11 / Fax + 41 22 884 96 90
export@mobatime.com / www.mobatime.com

SALES SWITZERLAND

MOBATIME AG
Stettbachstrasse 5, CH-8600 Dübendorf
Tel. +41 44 802 75 75 / Fax +41 44 802 75 65
info-d@mobatime.ch / www.mobatime.ch

MOBATIME SA
En Budron H 20, CH-1052 Le Mont-sur-Lausanne
Tél. +41 21 654 33 50 / Fax +41 21 654 33 69
info-f@mobatime.ch / www.mobatime.ch

SALES GERMANY, AUSTRIA

BÜRK MOBATIME GmbH
Postfach 3760, D-78026 VS-Schwenningen
Steinkirchring 46, D-78056 VS-Schwenningen
Tel. +49 7720 8535 0 / Fax +49 7720 8535 11
buerk@buerk-mobatime.de / www.buerk-mobatime.de