

ANALOGUE INDOOR CLOCK

TREND

The Trend clock provides a modern and slim design for indoor applications such as hospitals, offices, schools, universities etc.



6 STEPS TO YOUR TREND

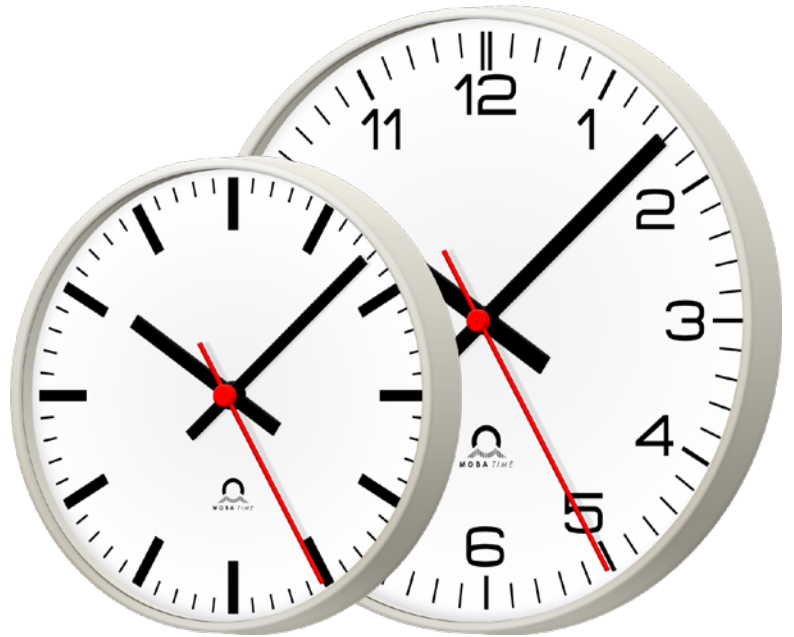
To make sure your Trend meets all your requirements, you can assemble the components individually. Naturally, our experts will be happy to help.

1. How big does your Trend need to be?

SIZE

The Trend is available in two dial diameters. The reading distance varies depending on the dial, lighting, viewing angle, etc. These are the options:

Ø	READING DISTANCE
30 cm	25-30m
40 cm	35-45m



2.

Would you like the single-sided or the double-sided version?

SHAPE

For double-sided clocks, an installation set is also required (see page 4).

CODE	SHAPE
R1	single-sided
R2	double-sided

3. Pick your time code variant:

TIME CODE

CODE	TIME CODE	POWER SUPPLY	HANDS	NUMBER OF MOTORS	MONITORING & CONFIGURATION	WORLD TIME
M40	MOBALine	MOBALine	h/m	1	-	with IF 480 WT (option)
M41	MOBALine	MOBALine	h/m/s	2	-	-
N40	NTP	PoE	h/m	1	Management software MOBA-NMS SNMPv2, alarm and alive traps	Time zone table from time zone server
N41	NTP	PoE	h/m/s	2	Multicast, unicast (DHCP) IPv4, IPv6	-

4. Which dial design do you like?

DIAL

The Trend offers the following standard designs. For logo prints, please contact our customer service.



dial 200



dial 210

5. Which type of glass is the right one?

GLASS TYPE

Depending on the intended use, three glass options are available.

Mineral glass (code 0)

The high-quality, durable standard glass holds up against aggressive cleaning agents, and is therefore ideal for medical applications.

Plexiglas Resist (code 3)

The nearly indestructible Plexiglas is shatterproof, and therefore ideal for use in the food industry.

Domed polycarbonate (code 6)

The convex plastic cover provides greater resistance to impact.

6. Which housing type do you need?

HOUSING TYPE

The Trend is available with a variety of housing color and material options.

Plastic, white (code P0)

White plastic housing (RAL 9002).

Plastic, anthracite (code P1)

Plastic housing with anthracite finish (RAL 7021).

Metal, white (code M0)

Aluminum housing with white finish (RAL 9002).

Metal, anthracite (code M1)

Aluminum housing with anthracite finish (RAL 7021).

Metal, chrome steel color (code M2)

Aluminum housing with chrome steel finish.

YOUR TREND IS COMPLETE

You can now order your Trend and calculate the corresponding code. Enter the abbreviation for each component of your choice in the bright field and find your Trend code. It serves as the order code or as the foundation for further steps.

My Trend clock TR0.

1. Size Ø cm

2. Shape Code

3. Time code Code

4. Dial Code

5. Glass type Code

6. Housing type Code

Sequence number Code

Example order code



	1.	2.	3.	4.	5.	6.
TR	0.	30.	R1.	M41.	200.	0.
Trend	no illumination ¹	Ø 30cm	round, single-sided	MOBALine, h/m/s	dial 200	mineral glass
						white plastic housing
						sequence number ²
						0000

¹ standard, cannot be changed

² The sequence number denotes special versions (e.g. clocks with a special dial). When ordering, please indicate the sequence number with 0000 (standard version); we will adapt this for any special version. Special versions can be reordered at any time stating the sequence number.

INSTALLATION VARIANTS



TR.Ø.WS / TR.Ø.WS.V2A

Wall and ceiling set
Snap-on installation. Made of steel.



TR.Ø.DF / TR.Ø.DF.V2A

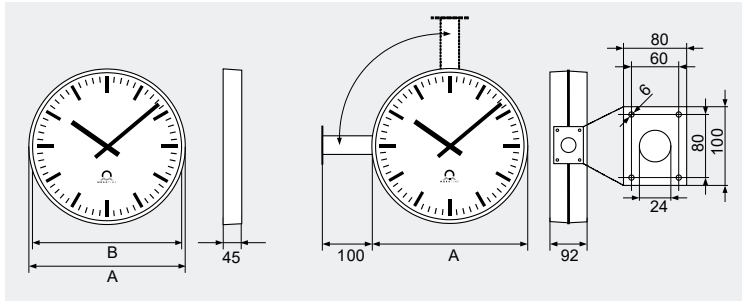
Ceiling flange
Alternative flange for ceiling set, made of steel.

TR.Ø.DS / TR.Ø.DS.V2A

Ceiling set
Snap-on installation. Ring made of steel, pipe and flange made of plastic.

Order codes ending in **.V2A** denote stainless steel versions.

TECHNICAL DATA



all dimensions in mm

	Ø 30	Ø 40
Weight	850 g	1150 g
Diameter (A)	315 mm	417 mm
Dial diameter (B)	300 mm	400 mm
Setup time following restart	< 3 minutes and 20 seconds	
Daylight saving time changes	< 15 seconds	
Accuracy	typically <+/- 50ms (synchronized)	
Synchronization loss	signalization after 24 h by setting the clock hand to the 12 o'clock position deviation typically +/- 2 s after 24 h	
Degree of protection	IP 40 (installed)	
Temperature range	-10...+55°C	
Max. power consumption	MOBALine: < 6mA @ 17VAC (0.1W) NTP: PoEclass 1: <1.9W (single-sided) / <3.8W (double-sided, cascaded)	
Standards	2011/65/EU / 2014/30/EU / 2014/35/EU / 2016/797/EU / EN 50121-4 / EN 60950-1 / EN 61000-6-2 / EN 61000-6-3	

LE-800838.22 / 2022

*Do you have any questions?
We are happy to help.*

Moser-Baer AG | Spitalstrasse 7 | CH-3454 Sumiswald
Tel. +41 34 432 46 46 | Fax +41 34 432 46 99
info@mobatime.com | www.mobatime.com



Product specifications are subject to change without notice.