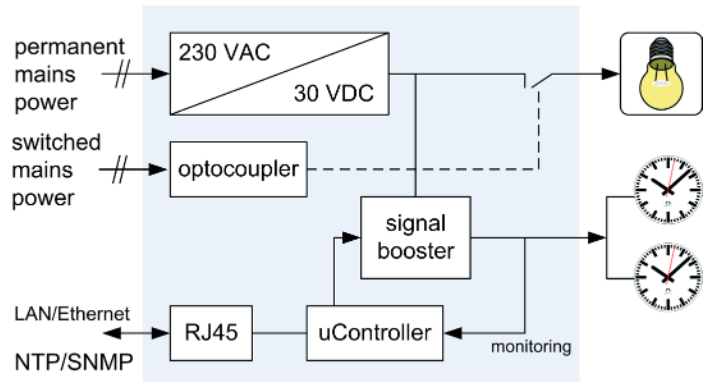


NCC - Network Clock Controller

The Network Clock Controller offers complete control and monitoring of the movements, illumination and intensity thereof as well as the second/minute hand modes via the software MOBA-NMS. It can be used for single- and double-sided clocks.

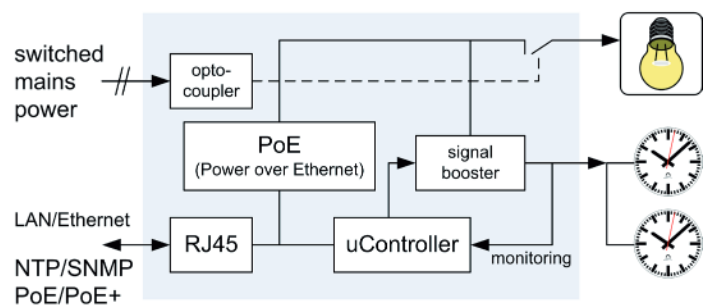
Network clock, mains powered

- Mains Power 100 – 240 VAC for LED illumination
- Separate mains power 100 – 240 VAC input for illumination control (without load)
- Synchronization: NTP Unicast or Multicast
- Connection terminals for LAN/Ethernet , mains power, movements and illumination



Network clock, fully PoE powered (illumination control by switched mains power)

- PoE power for movements and LED illumination (or PoE+ , depending on clock diameter)
- Separate mains power 100 – 240 VAC input for illumination control (without load)
- Synchronization: NTP Unicast and Multicast
- Connection terminals for LAN/Ethernet and illumination control



Network clock, fully PoE powered

- PoE power for LED illumination and movements (or PoE+, depending on clock diameter)
- Automatic illumination control via week program from NCC
- Synchronization: NTP Unicast or Multicast
- Connection terminals for LAN/Ethernet incl. PoE

